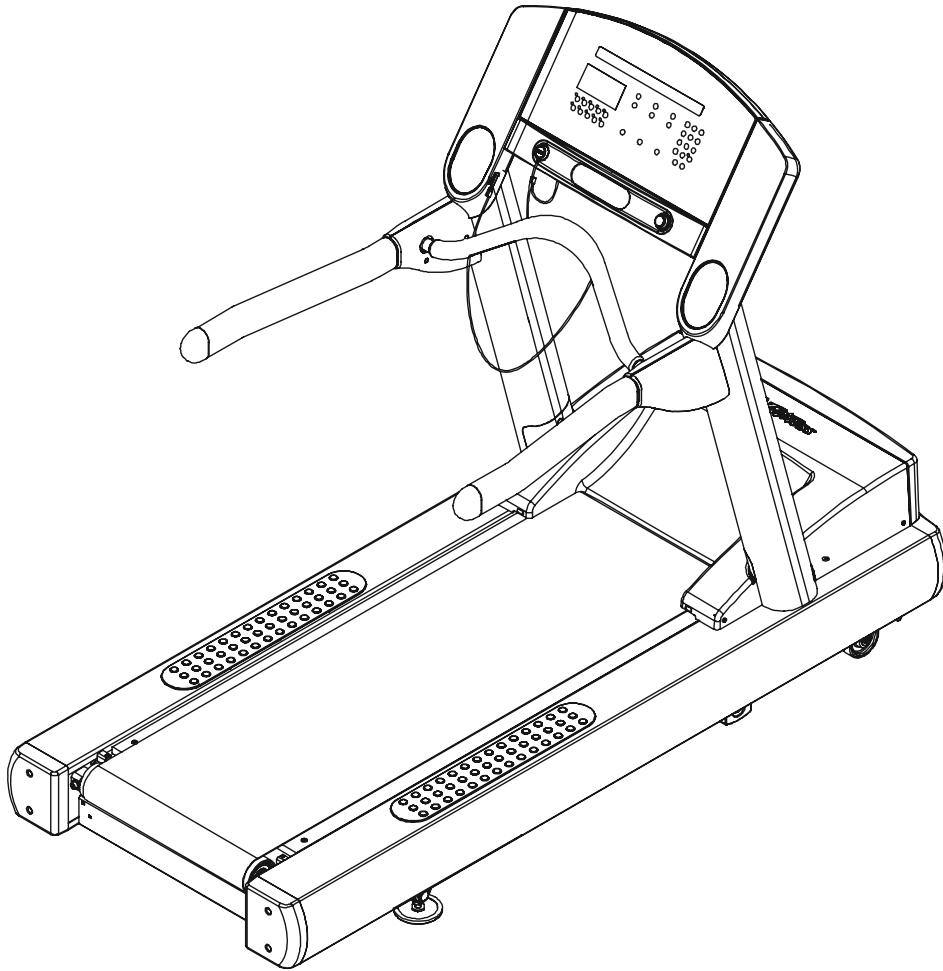


# LifeFitness

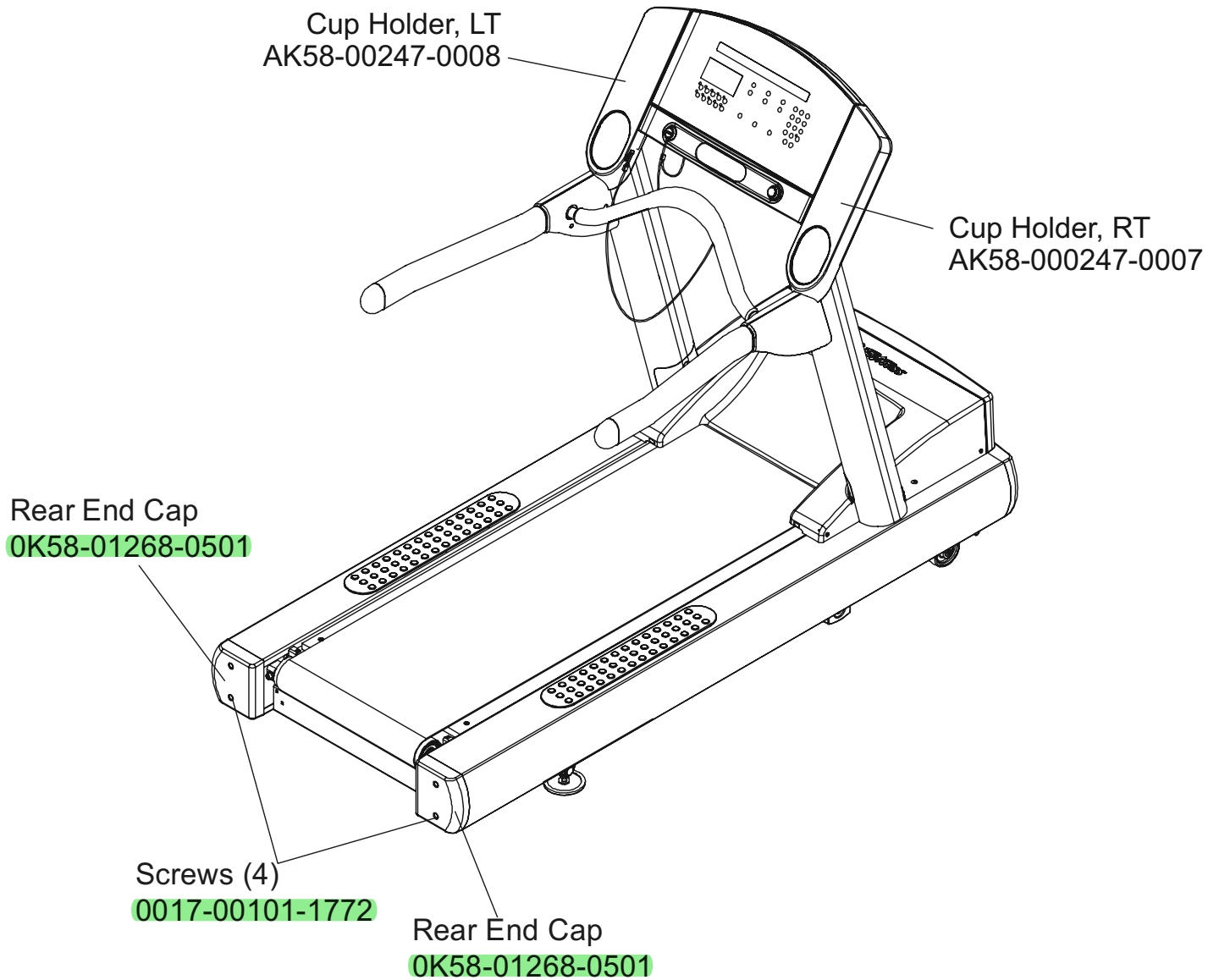
Retro Fitness Treadmill CLST-0100-01RF



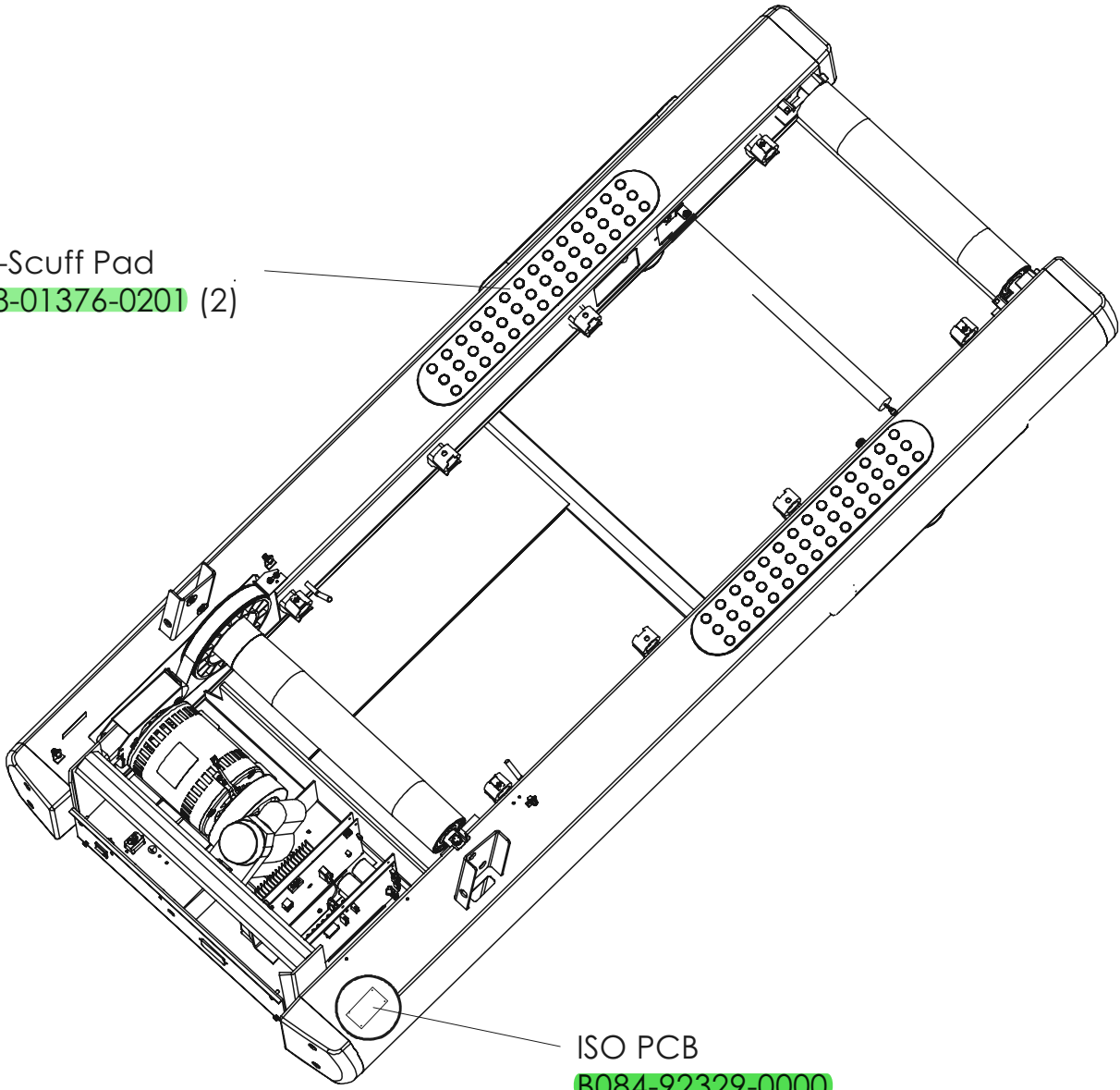
Customer Support Services  
**PARTS MANUAL** rev 03 Mar 2011

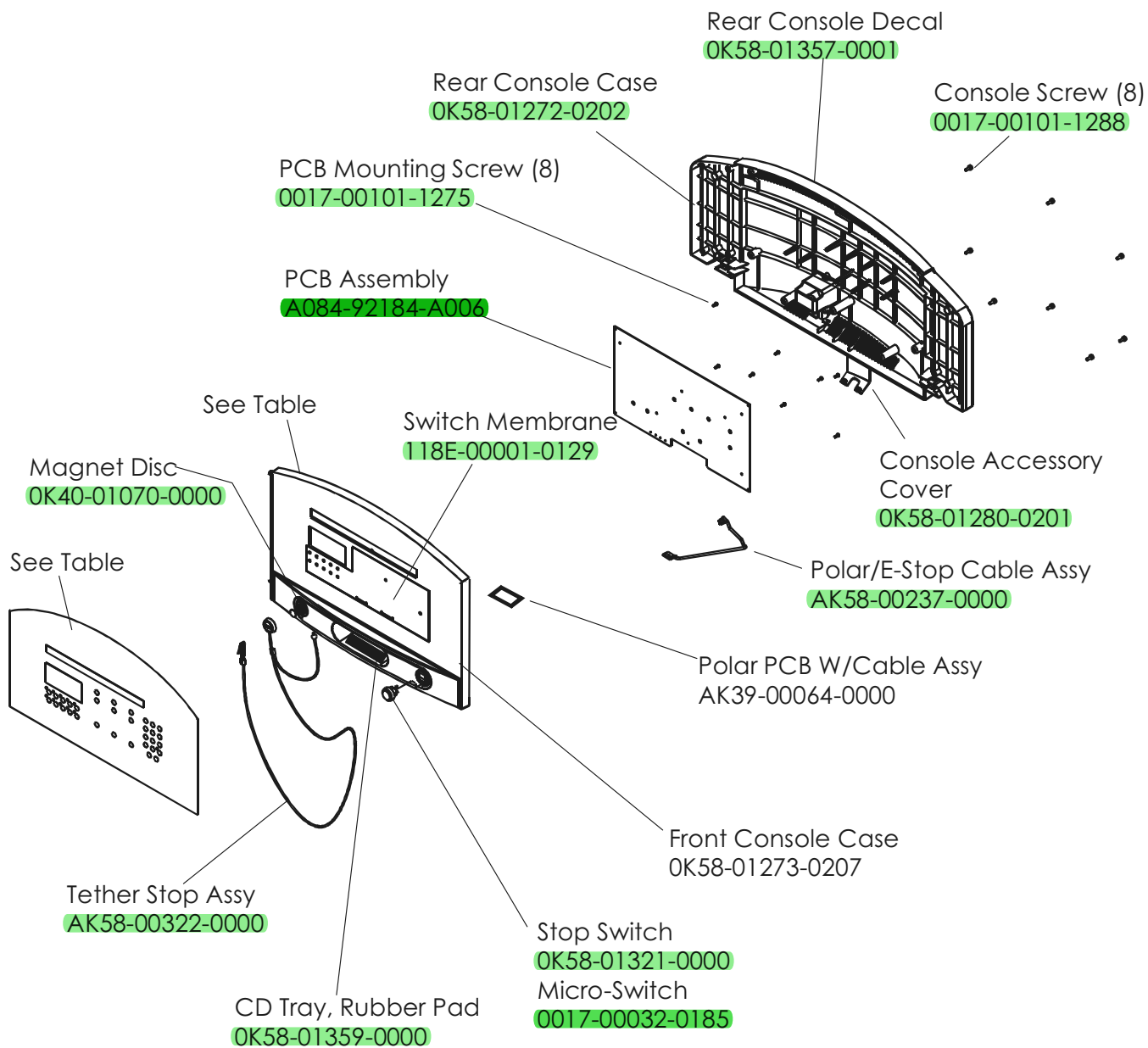
Miscellaneous .....	3
Rear End Caps and Cup Holders.....	4
Scuff Pad and Frame Tag Board .....	5
Console and Related Components .....	6
Uprights, Handrails, and Ergo Bar .....	7
Ergo Bar with Heart Rate Assembly .....	8
Motor Cover, Front Cover, and End Caps.....	9
Belt, Deck, and Rear Roller.....	10
Lift Frame, Lift Motor, and IEC Receptacle.....	11
DSP Controller Assembly .....	12
Drive Motor Assembly.....	13
Idler Arm Assembly and Static Brush.....	14
Leg Leveler Assembly.....	15
Front Roller Assembly .....	16
Line Cords and Line Cord Options .....	17
Block Diagrams .....	18

Description	Part No.
OPERATION MANUAL (CD)	AK58-00634-0000
SERVICE MANUAL	M051-00K58-A159
HARDWARE BAG	AK58-00226-0100
HEX YELLOW TOUCH UP PAINT: 12 OZ SPRAY CAN .6 OZ BOTTLE W/APPLICATOR	8809701 8809801
ACCESS PANEL ASSY CONSISTS OF: 1) 120" POWER EXT. CABLE 2) CONNECTOR MTG. PLATE 3) F-TYPE ADP CONNECTOR 4) F-TYPE PANEL CONNECTOR	AK58-00329-0000 AK32-00020-0002 0K58-01392-0000 0017-00021-2810 0017-00021-2846
INSTALLATION VIDEO	M051-00K58-A160



Anti-Scuff Pad  
OK58-01376-0201 (2)



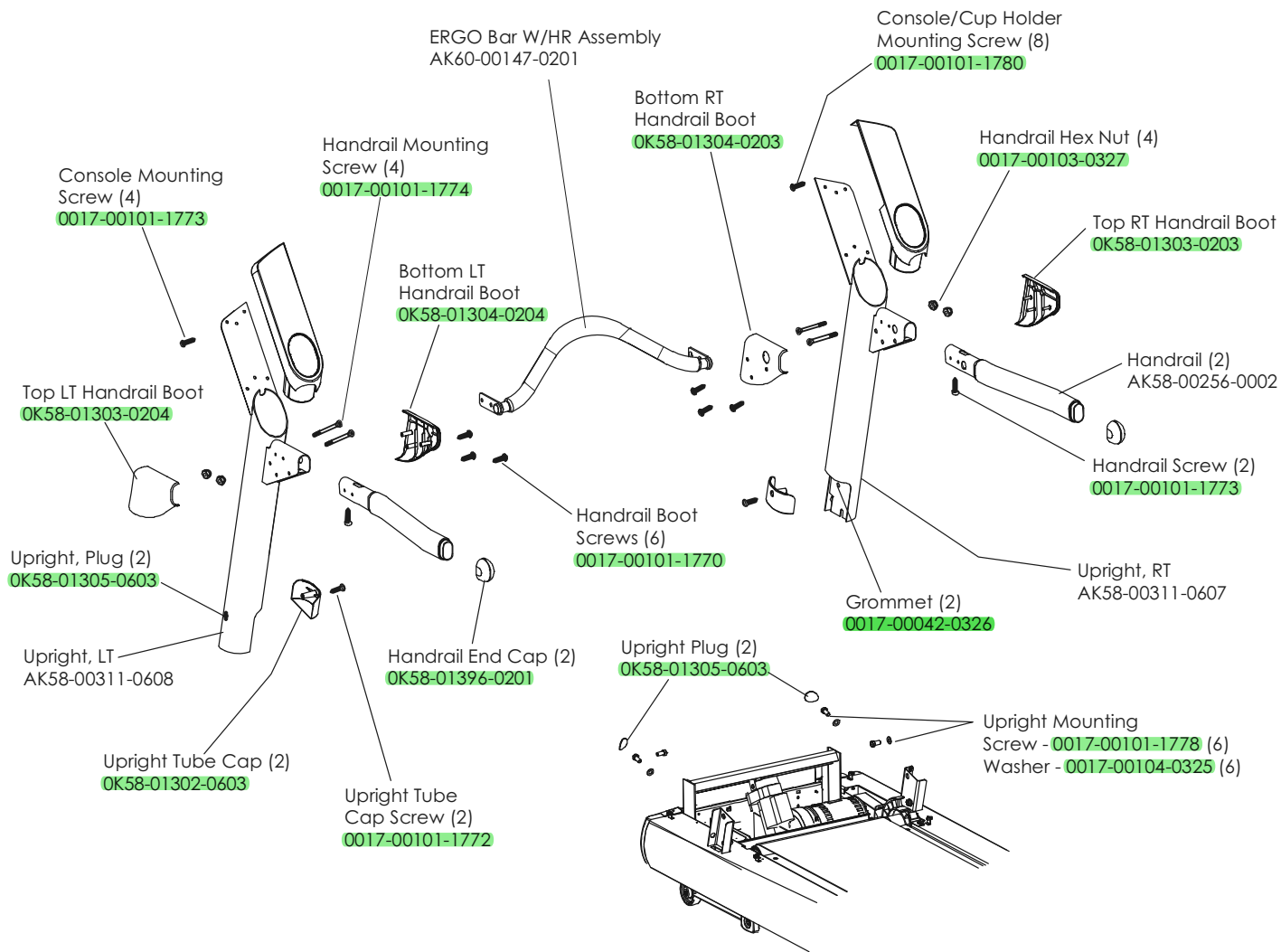


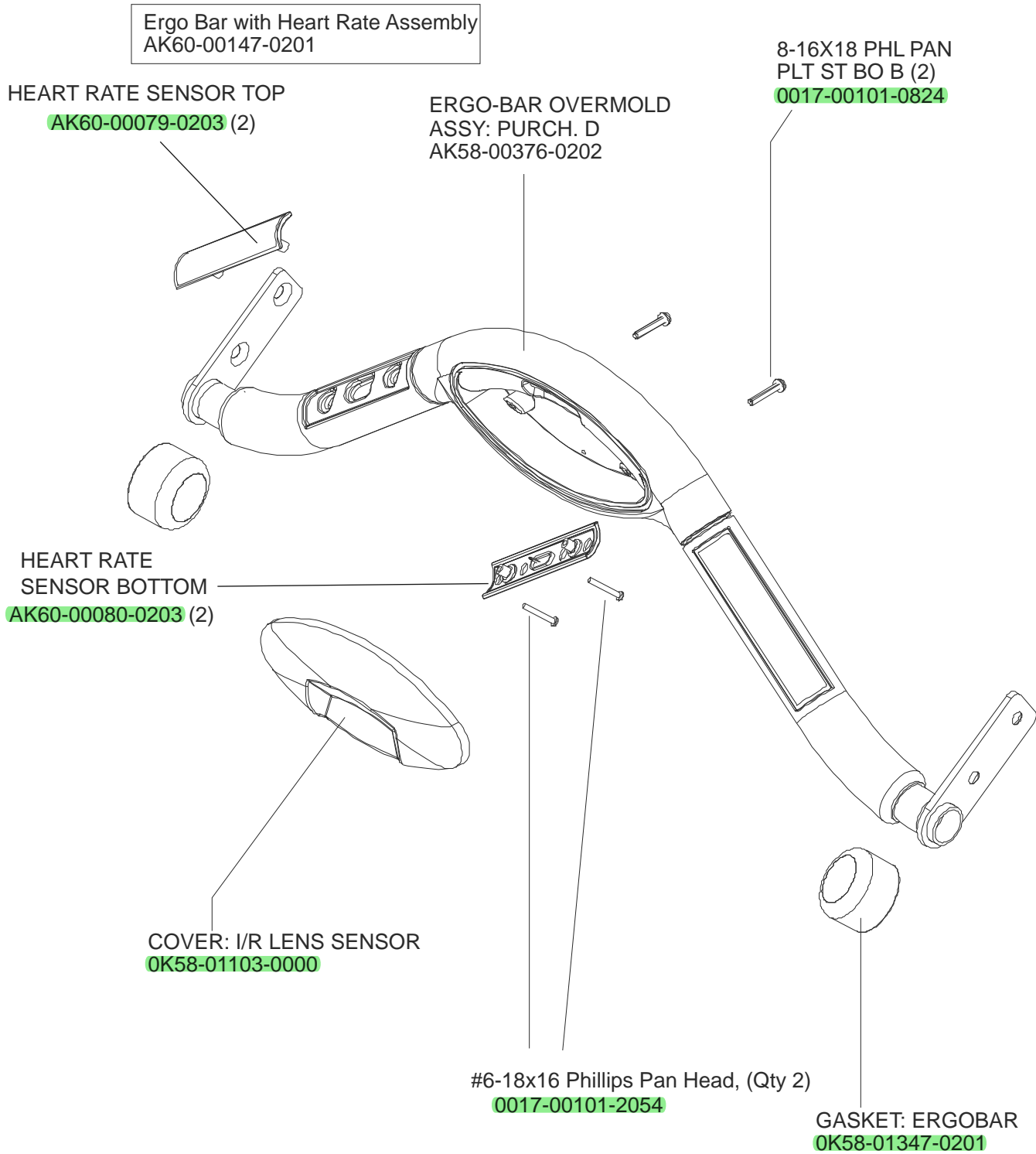
Language	Part Nos.	
	Console Assembly	Overlay
Eng/Met	AK58-00580-0101	OK58-01357-0001

# RETRO FITNESS TREADMILL

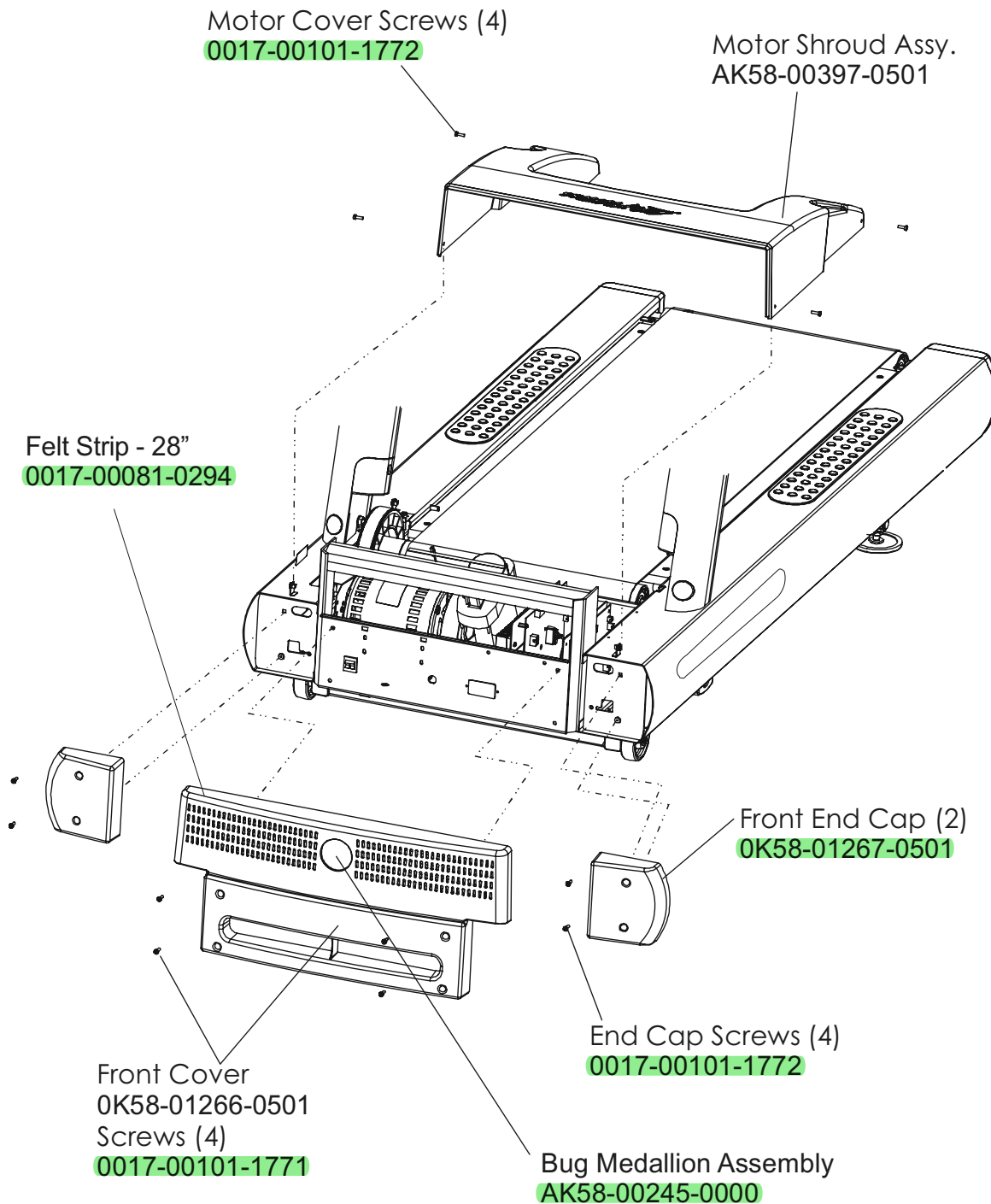
## Uprights and Handrails

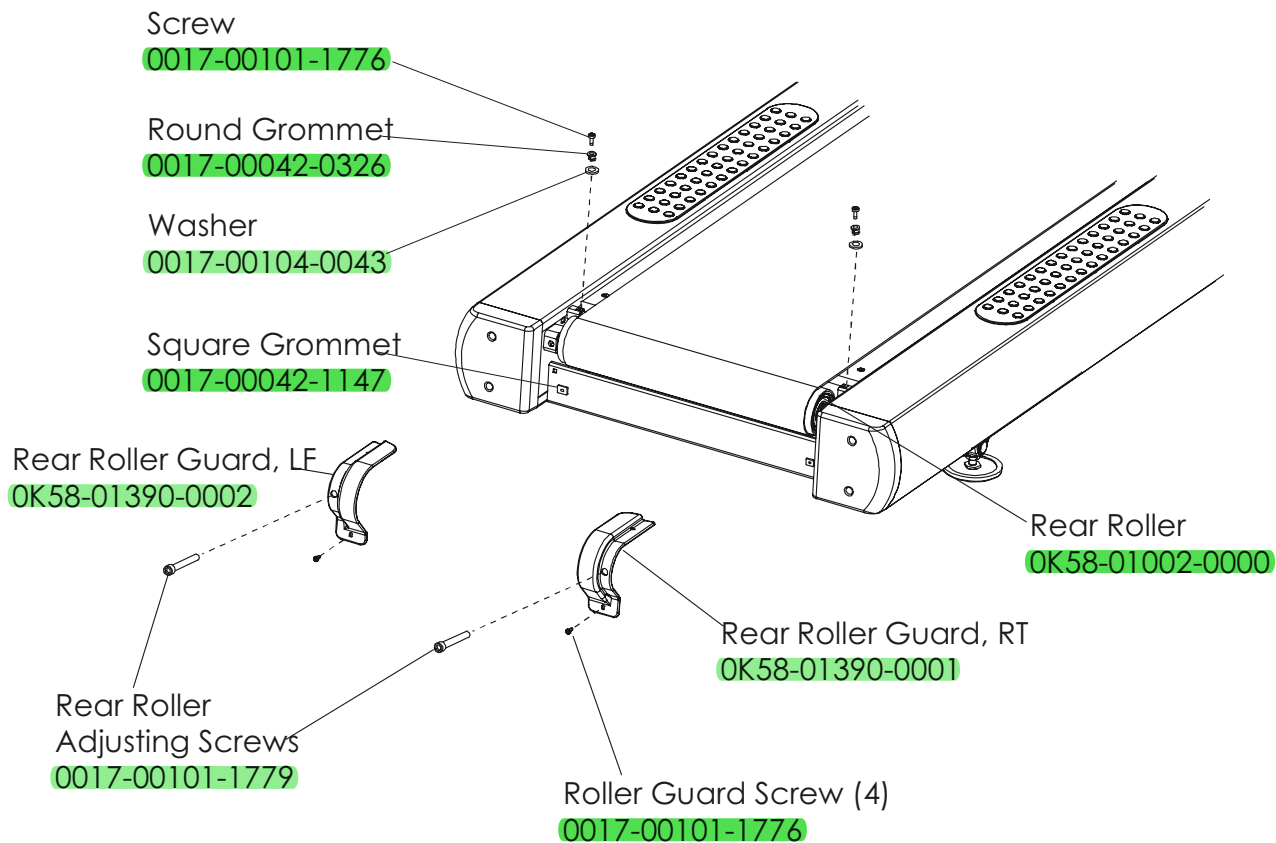
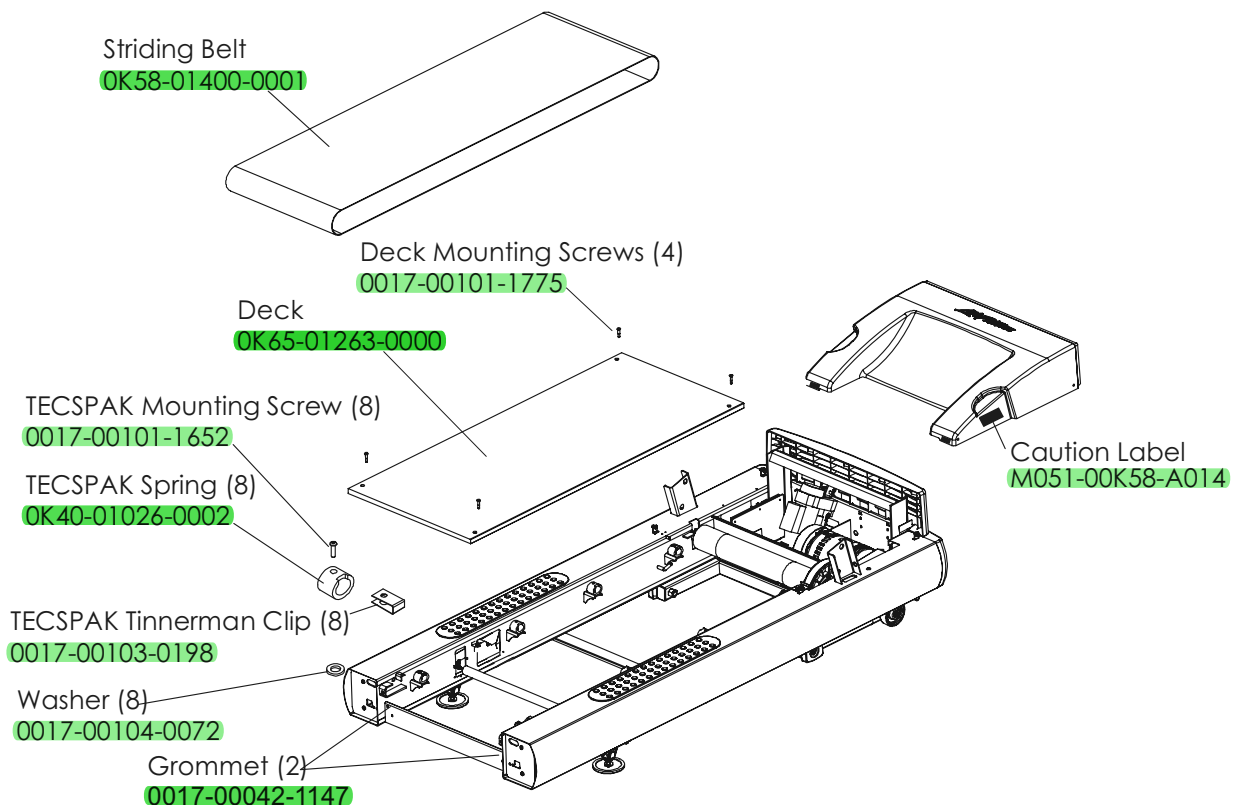
CLST-0100-01RF  
S/N CLST320000 - 399999





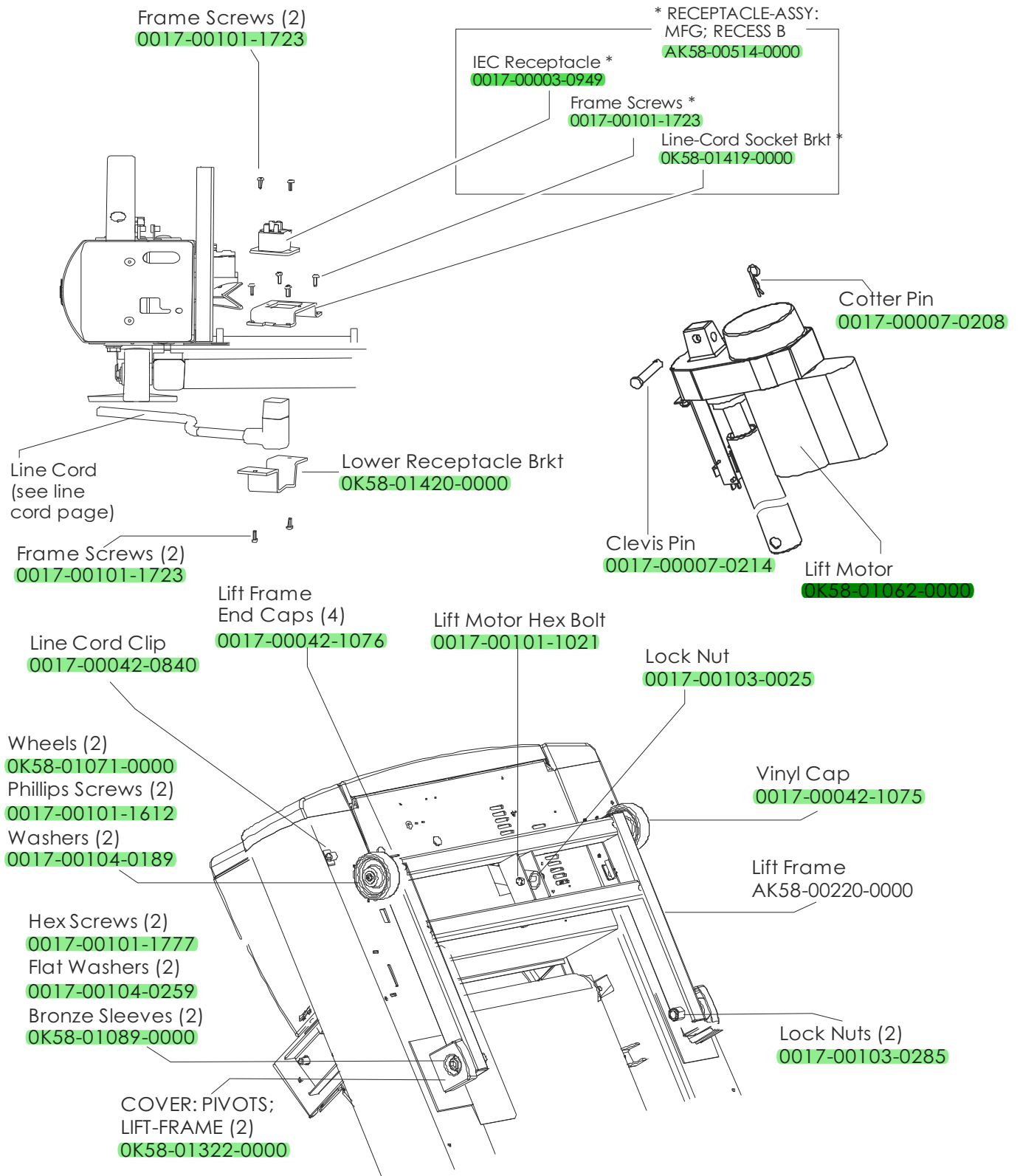




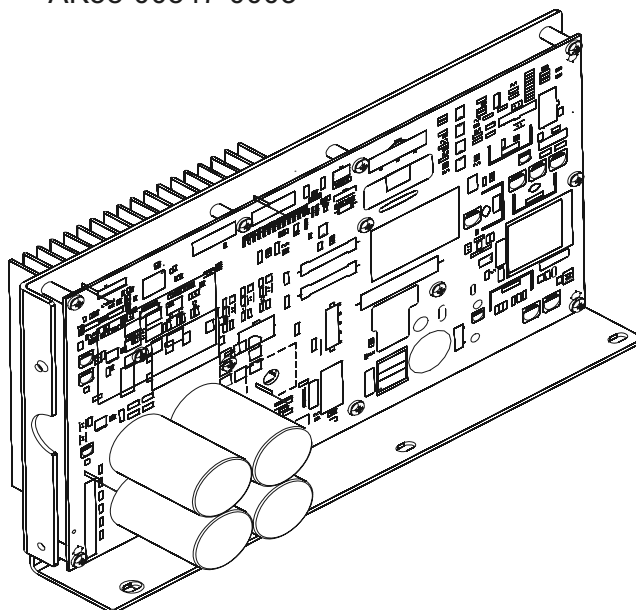


**RETRO FITNESS TREADMILL**  
**Lift Frame, Lift Motor and IEC Receptacle**

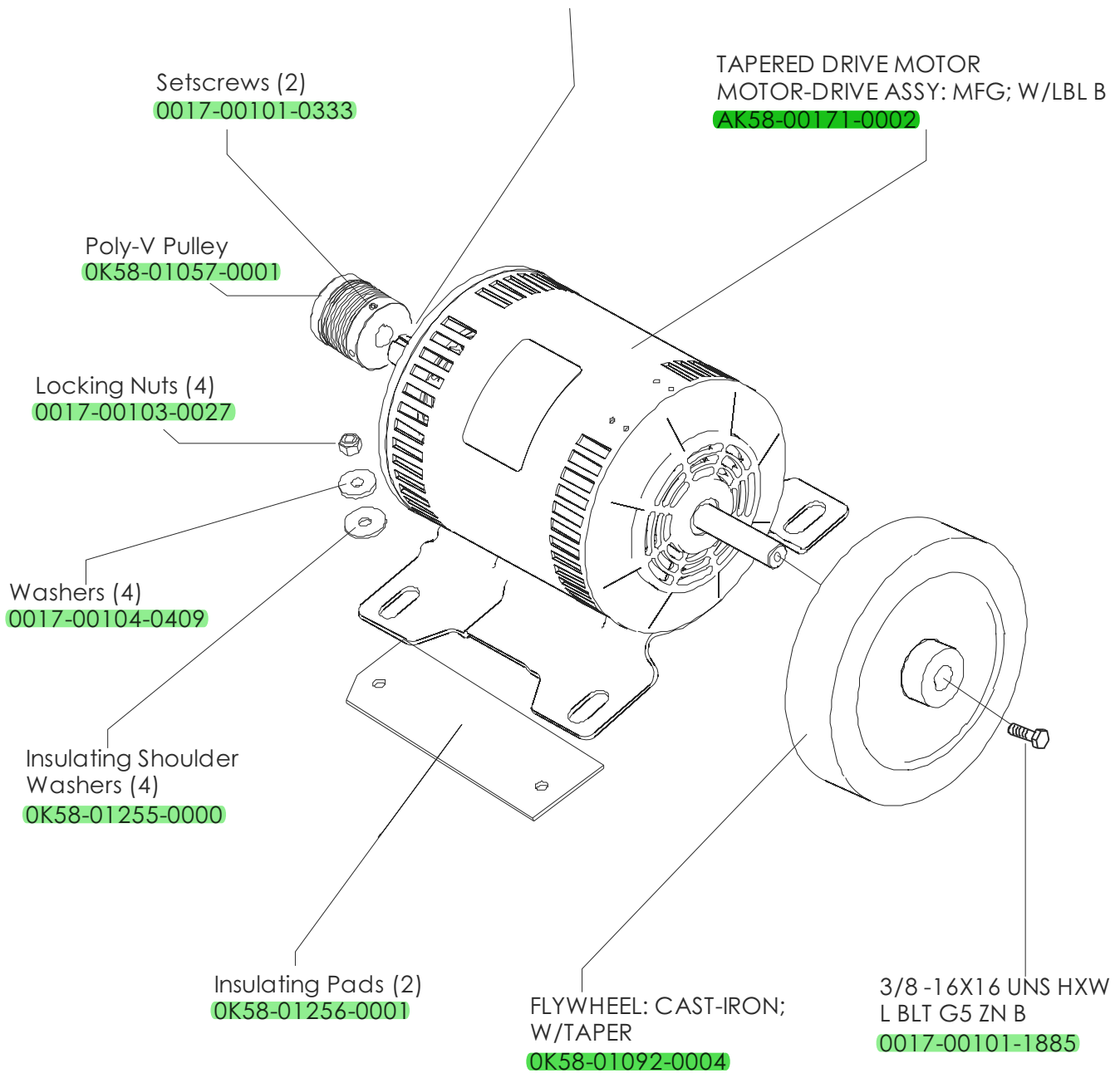
**CLST-0100-01RF**  
**S/N CLST320000 - 399999**

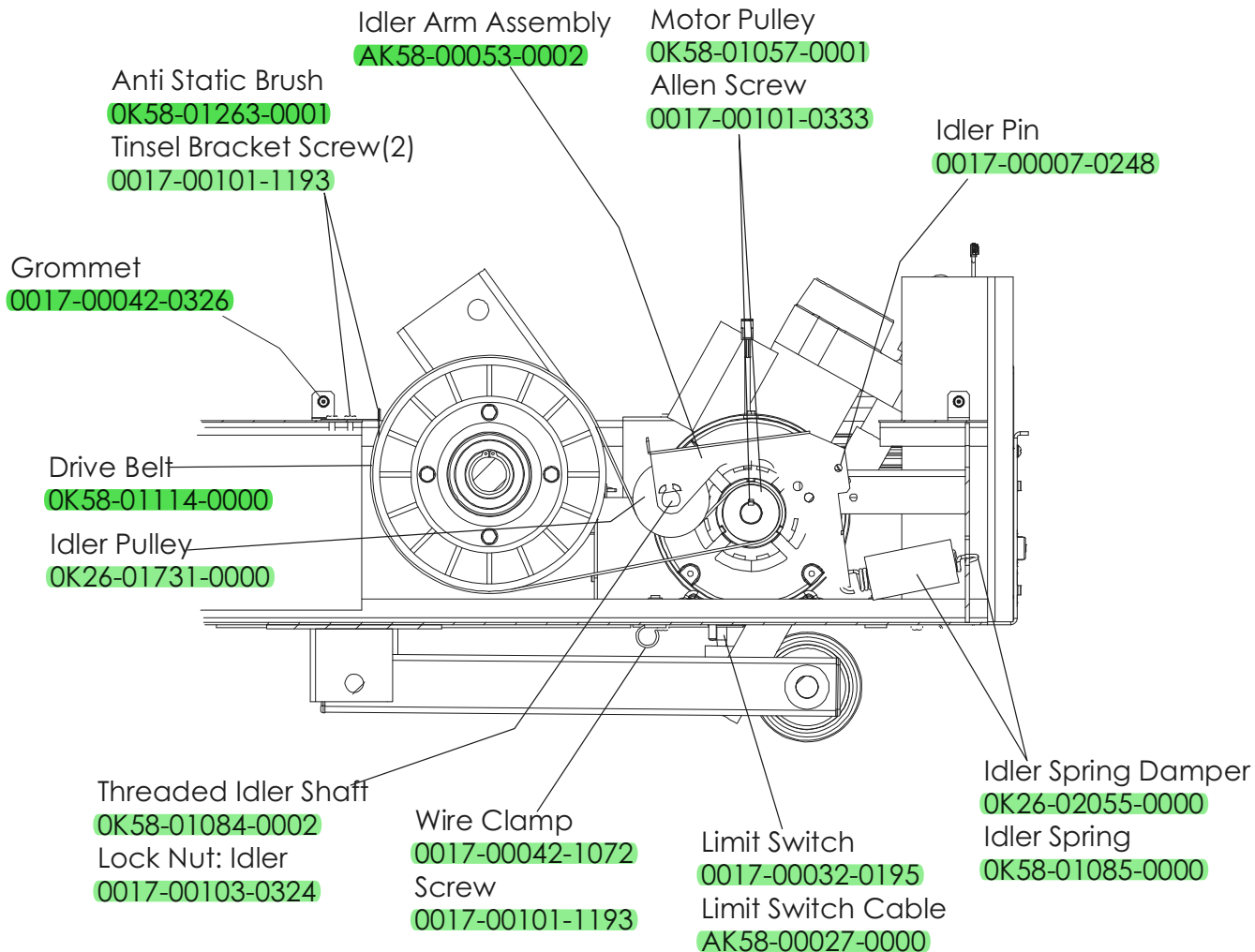


DSP w/Cables  
100-120V  
**AK58-00547-0001**  
200-240V  
AK58-00547-0003

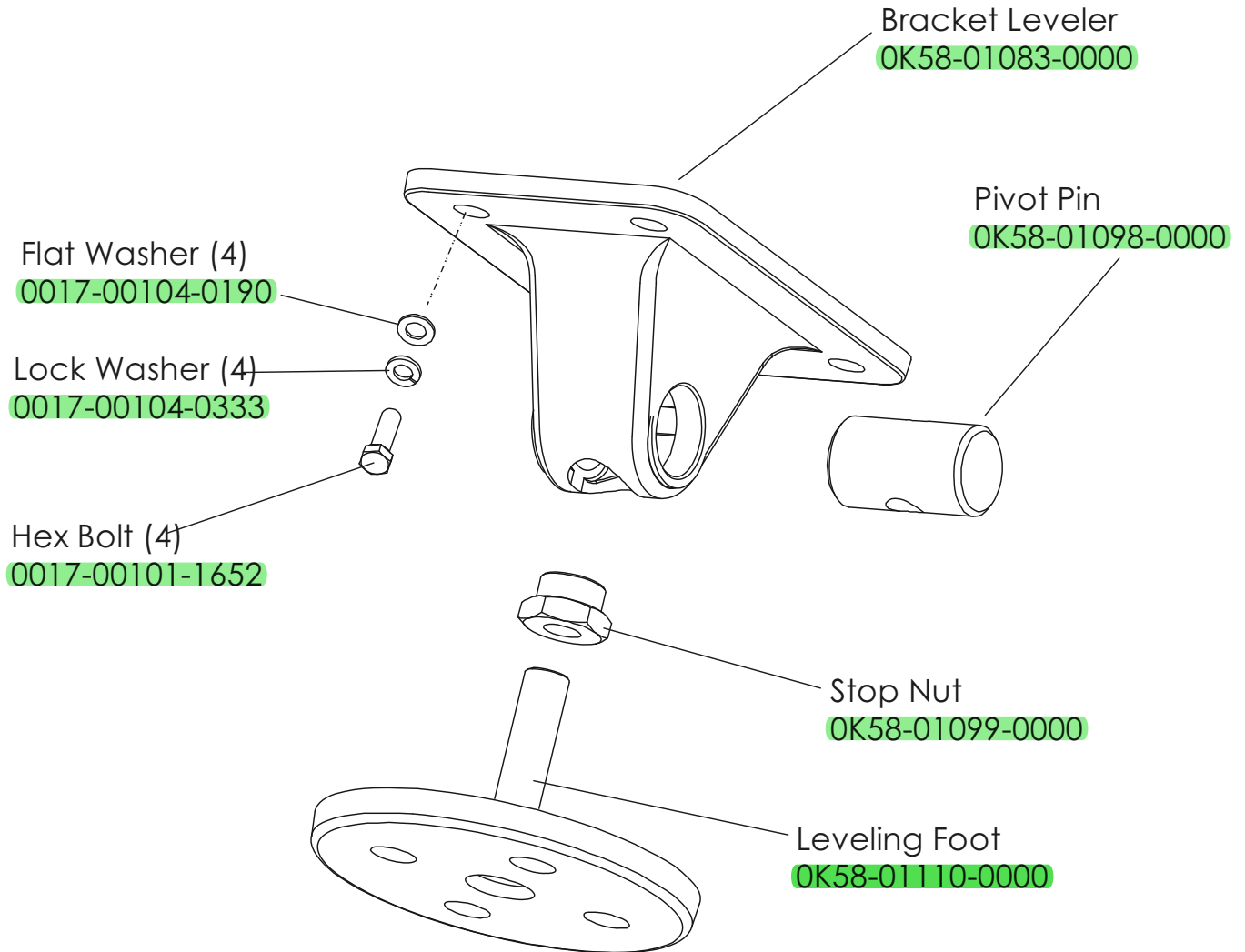


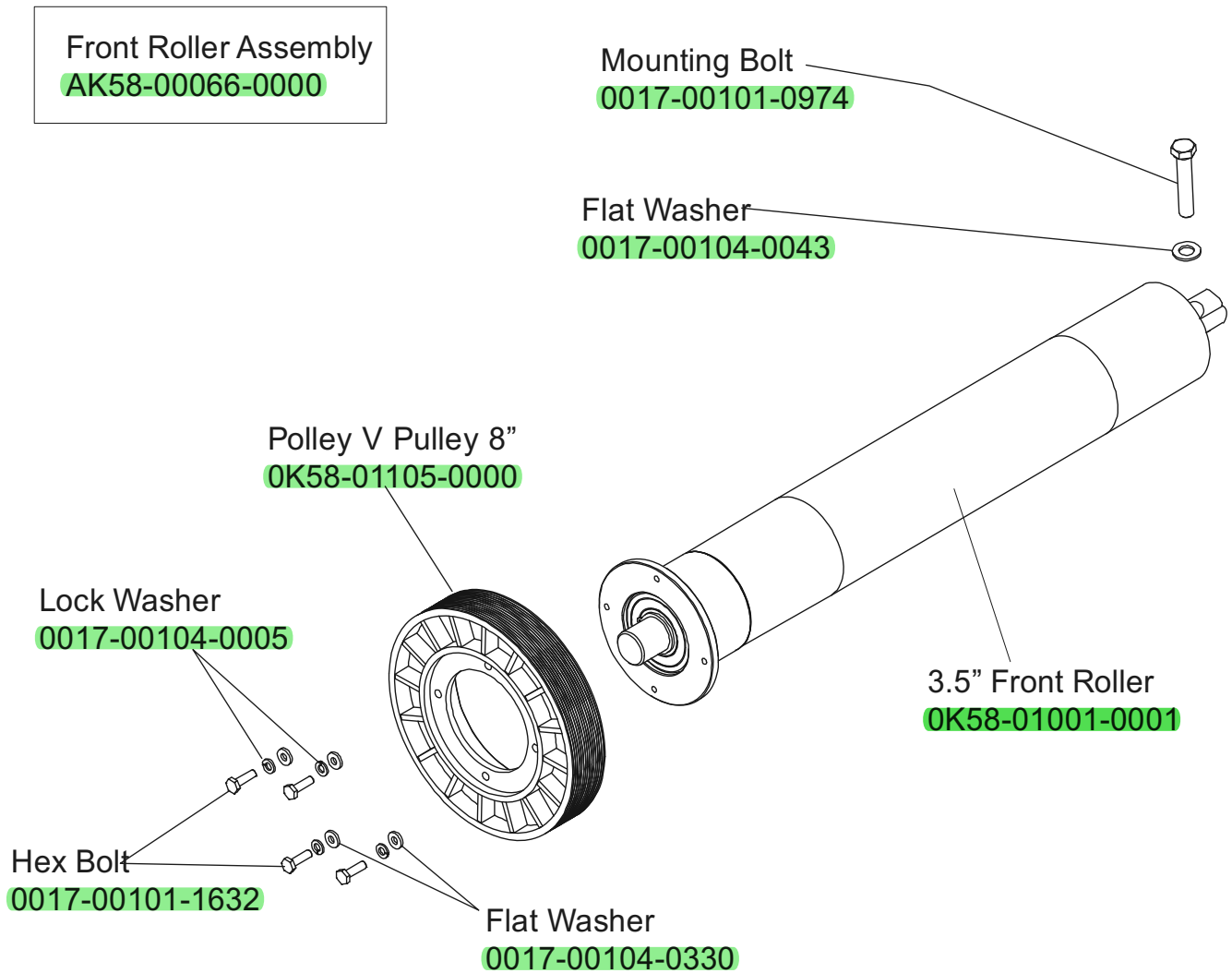
Note: key is part of the drive motor only, not available separately.





Leveler Assembly  
AK58-00370-0000

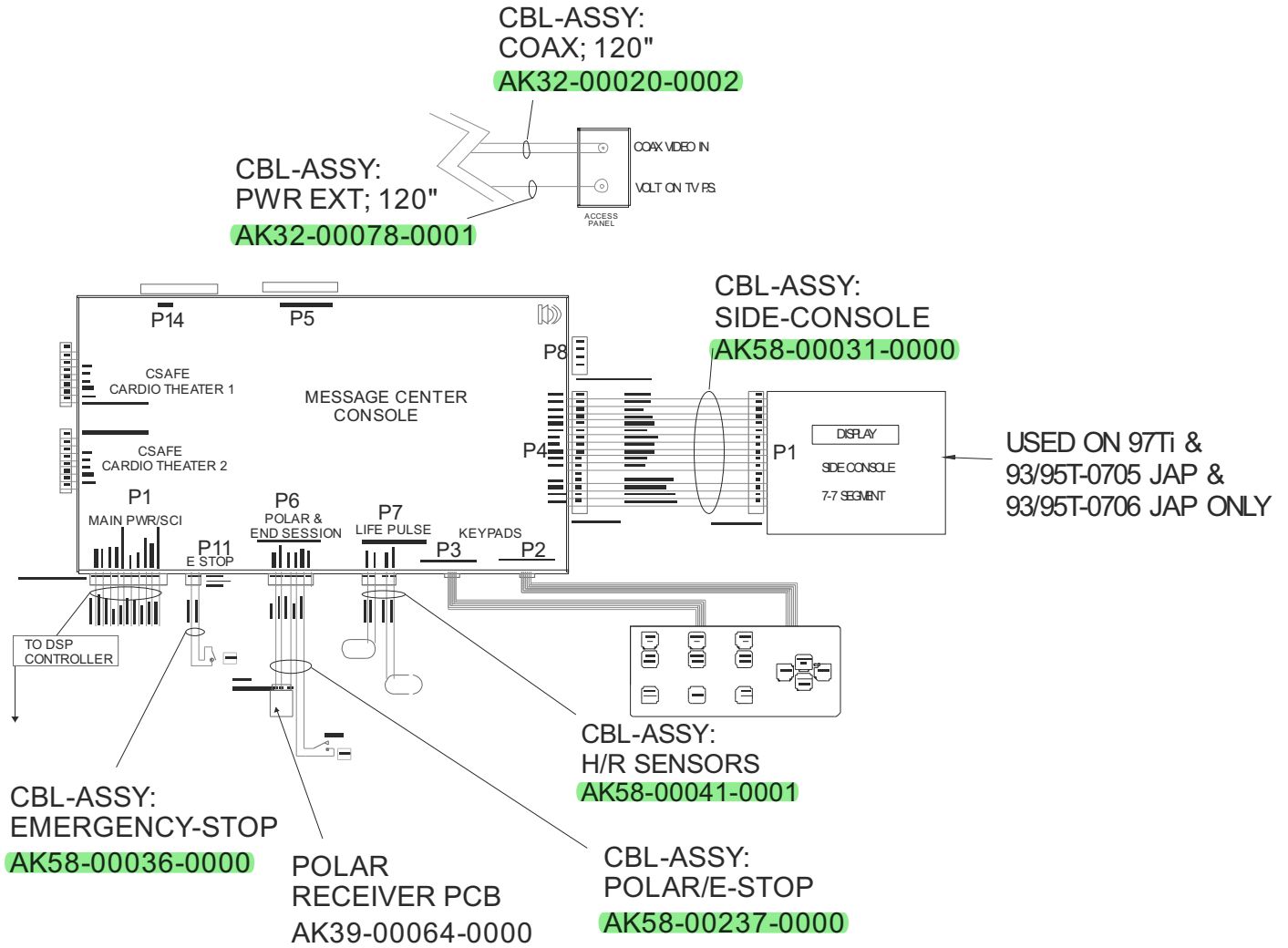


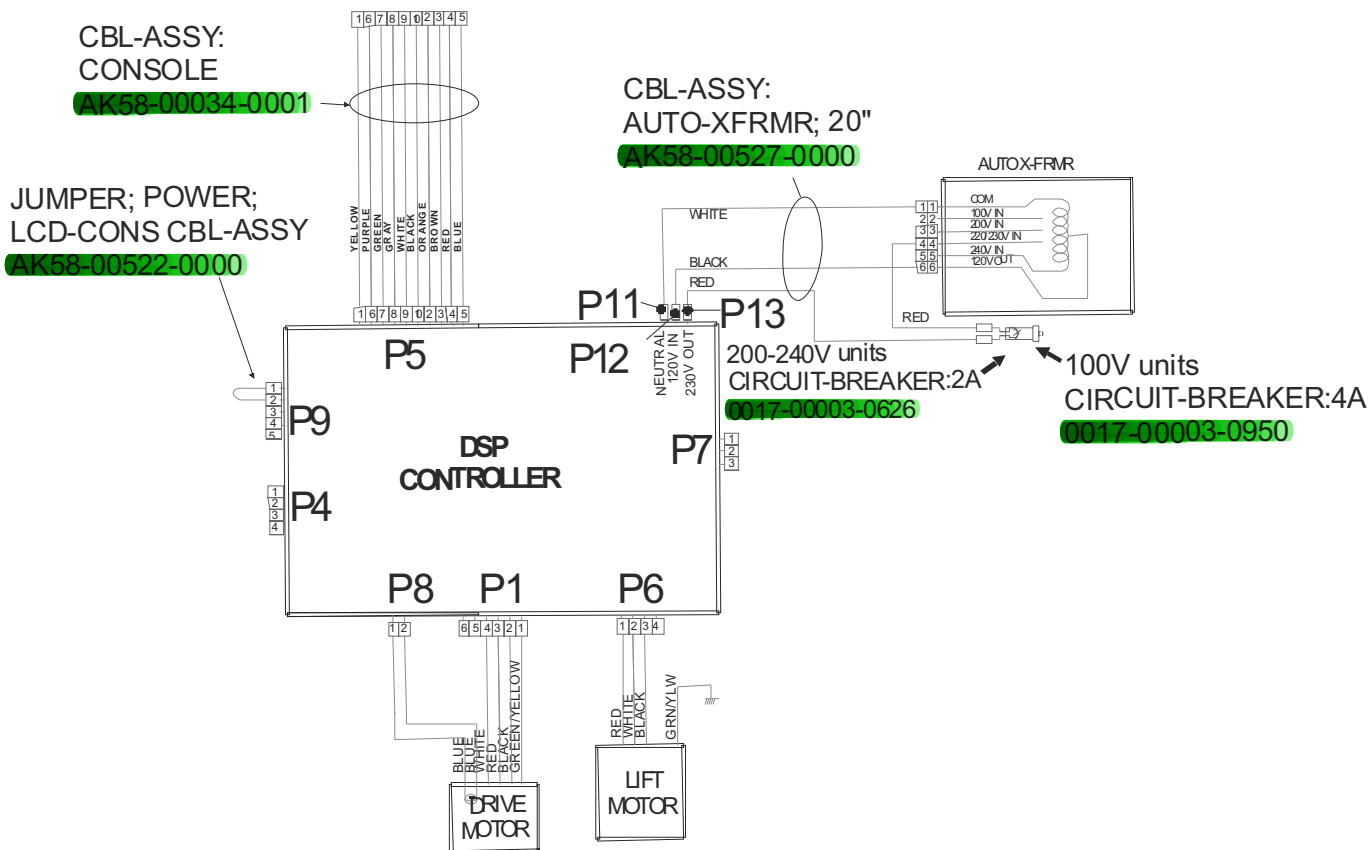




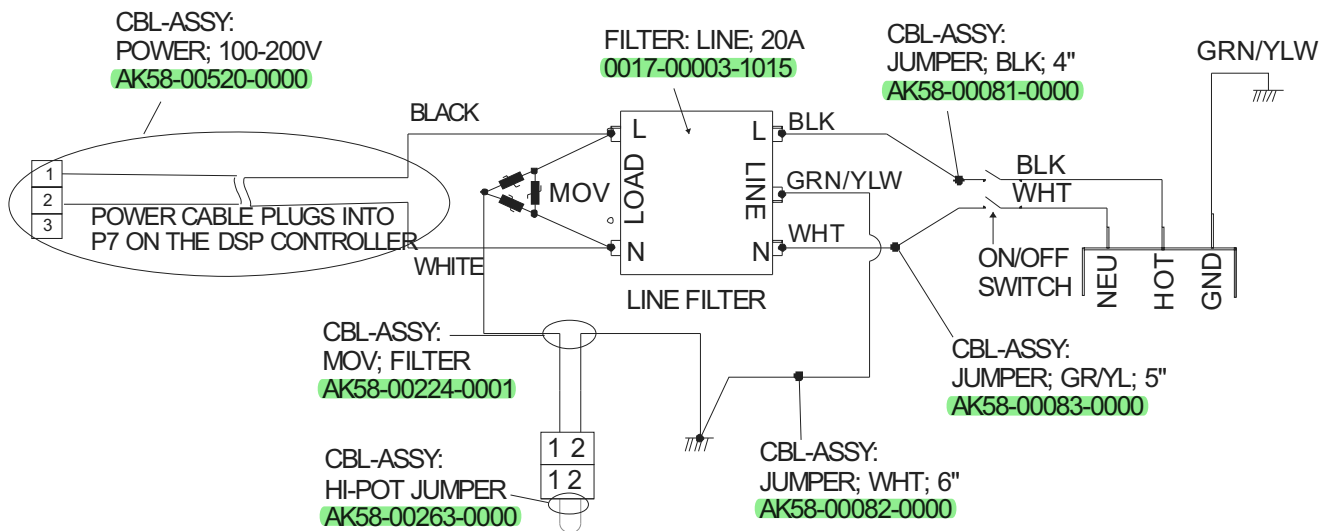
Standard Line Cords		
Model #	Model Description	Part No.
CLST-0100-01RF	CLST ENG/ENG 120/60 DOM LOW VOLTAGE	<b>0017-00003-0974</b> LINE-CORD: R/A; 96"; W/RECP

Optional Line Cords		
Description	Length (feet)	Part No.
LINE-CORD: 120V; 20A;	12'	<b>0017-00003-0947</b>
LINE-CORD: R/A 120V	8'	<b>0017-00003-0915</b>
LINE-CORD: R/A; NEMA 5-20 144"	12'	<b>0017-00003-0980</b>
LINE-CORD: R/A; W/PLUG 220/60	7.5'	<b>0017-00003-0981</b>
LINE-CORD: 220V; 15A;	12'	<b>0017-00003-0948</b>





120V DOMESTIC



200-240V ONLY

